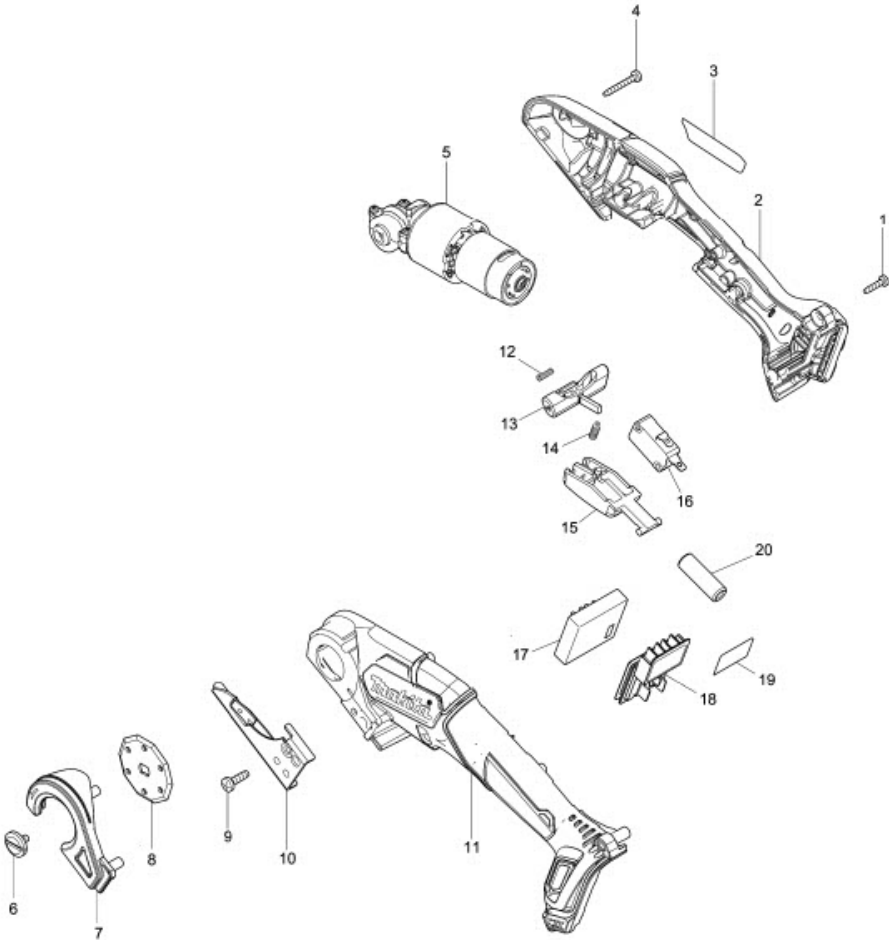


Part Diagram

Model No.CP100D CORDLESS MULTI CUTTER



Item	Sub	Parts No.	Parts Description	Qty
1		266404-8	TAPPING SCREW BIND 3X14	6
2		183G66-8	HOUSING SET	1
2	D10		INC. 11	
3		853H52-6	CP100D NAME PLATE	1
4		251574-6	TAPPING SCREW BIND 3X24	2
5		126614-8	GEAR ASSEMBLY	1
6		251571-2	- FLAT HEAD SCREW M4X8	1
7		457828-1	BLADE COVER	1
8		198604-1	MULTI CUTTER BLADE SET	1
9		266385-6	TAPPING SCREW 4X14	1
10		144620-1	UNDER BLADE COMPLETE	1
11		183G66-8	HOUSING SET	1
11	D10		INC. 2	
12		231469-9	COMPRESSION SPRING 4	1
13		457829-9	LOCKOFF LEVER	1
14		233438-6	COMPRESSION SPRING 4	1
15		457830-4	SWITCH LEVER	1
16		650744-8	SWITCH D3V-16-3C26	1
17		620687-8	CONTROLLER	1
18		644813-5	TERMINAL	1
19		853H60-7	CP100D SERIAL NO. LABEL	1
A01B		***DC10WD	DC10WD BATTERY CHARGER	1
A01B	D10		COMPO-PARTS	
A01C		***DC10SB	DC10SB BATTERY CHARGER	1
A01C	D10		COMPO-PARTS	
A02B		197396-9	BATTERY BL1021B SET	1
A02C		197406-2	BATTERY BL1041B SET	1
A02-1B		197396-9	BATTERY BL1021B SET	1
A02-1C		197406-2	BATTERY BL1041B SET	1
A02-2B		191B85-0	BATTERY BL1021B SET	1
A02-2C		191B86-8	BATTERY BL1041B SET	1
A03		198589-1	TOOL BAG SET	1